

Resilient Seated Swing Check Valves



Description:

The CVFRS Series Resilient Seated Swing Check Valves are PN16 pressure rated, Flanged Ductile Iron body with a fusion bonded epoxy coating, NBR Rubber Encapsulated Ductile Iron Disc, Vulcanized NBR liner/seat as standard configuration. These valves are available in AS2129 Table D and Table E flange pattern.

The CVFRS Series Check Valves are a swing check style valve suitable to almost any application such as raw water, wastewater treatment, sea water, irrigation, abrasive slurries, corrosive chemicals, desalinations, fire protection, mining and industrial applications.

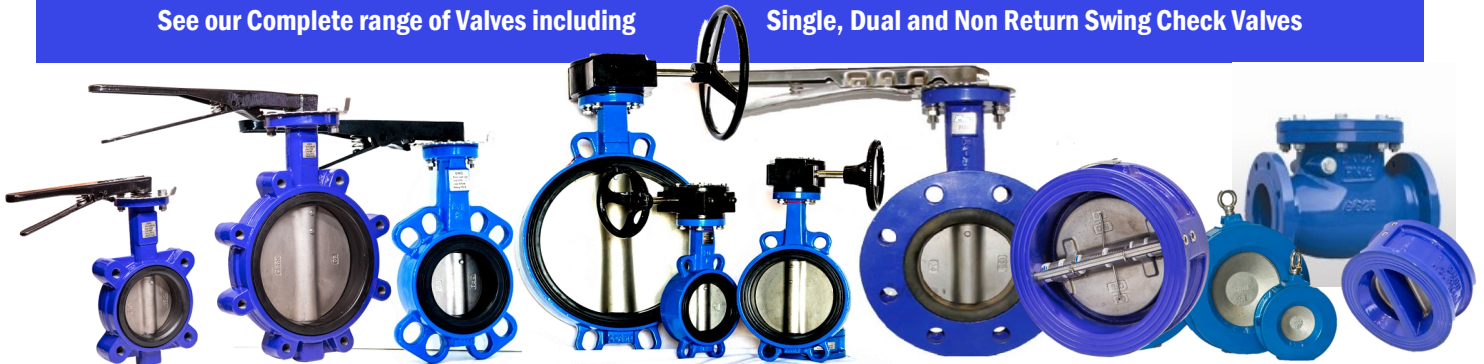
The CVFRS Series has a low head loss achieved by the aero dynamic streamline style of the body.

The design of the singular moving one piece disc eliminates the need for any external counter weights to aid sealing.

Other configurations can be manufactured upon request.

See our Complete range of Valves including

Single, Dual and Non Return Swing Check Valves



GWG GLOBAL WATER GROUP

Townsville: P: 07 4779 0173

48 Keane St. Currajong, QLD 4812.



Brisbane: P: 07 3517 5595

25 Staple St. Seventeen Mile Rocks, 4073

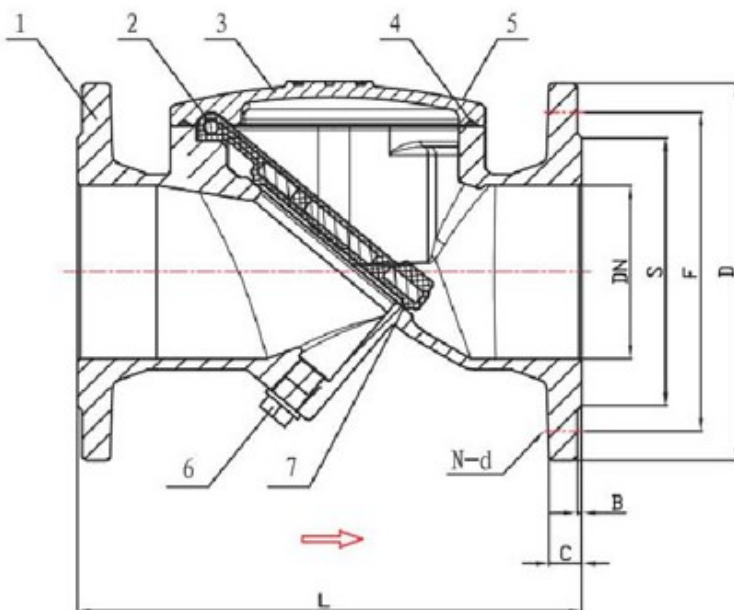
W: www.gwgvalvesandpoly.com.au

CVFRS Series - Operational Specifications

Model	DN (mm)	Pressure Range	Media Temp
CVFRSE050	50	0 to 16 BAR	0 to 80°C
CVFRSE065	65	0 to 16 BAR	0 to 80°C
CVFRSE080	80	0 to 16 BAR	0 to 80°C
CVFRSE100	100	0 to 16 BAR	0 to 80°C
CVFRSE150	150	0 to 16 BAR	0 to 80°C
CVFRSE200	200	0 to 16 BAR	0 to 80°C
CVFRSE250	250	0 to 16 BAR	0 to 80°C
CVFRSE300	300	0 to 16 BAR	0 to 80°C
CVFRSD100	100	0 to 16 BAR	0 to 80°C
CVFRSD250	250	0 to 16 BAR	0 to 80°C

CVFRS Series - Dimensions

CODE	DN (mm)	FLANGE	S	F	D	B	C	L	N-d	WEIGHT (Kg)
CVFRSE050	50	TABLE D/E	99	125	165	3	19	203	4 - 18	
CVFRSE065	65	TABLE D/E	118	145	185	3	19	216	4 - 18	
CVFRSE080	80	TABLE D/E	132	160	200	3	19	241	4 - 18	15
CVFRSE100	100	TABLE D/E	156	180	220	3	19	292	8 - 18	21
CVFRSE150	150	TABLE D/E	211	240	285	3	19	356	8 - 22	40
CVFRSE200	200	TABLE D/E	266	295	340	3	20	495	8 - 22	76
CVFRSE250	250	TABLE D/E	319	355	405	3	22	622	12 - 22	122
CVFRSE300	300	TABLE D/E	370	410	460	4	24.5	698	12 - 26	218
CVFRSD100	100	TABLE D	156	180	220	3	19	292	4 - 18	21
CVFRSD250	250	TABLE D	319	355	405	3	22	622	8 - 22	122



Components Details		
No.	Item	Material
1	Body	FBE Coated Ductile Iron
2	Core Rod	2Cr13 SS
3	Cover	FBE Coated Ductile Iron
4	Cover Gasket	NBR
5	Bolts	SS 304
6	Drain Plug	BSPT SS 304
7	Disc	NBR Coated Ductile Iron

