

# Dual Disc Wafer Check Valves



## Description:

The CVWD Series Wafer Check Valves are PN16 pressure rated, Ductile Iron body with a fusion bonded epoxy coating, Dual 316 Stainless Steel Disc, Vulcanized NBR Resilient seat as standard configuration.

These valves are suitable for use where AS4087 PN16, Table D or Table E and ANSI 150 flange patterns are required.

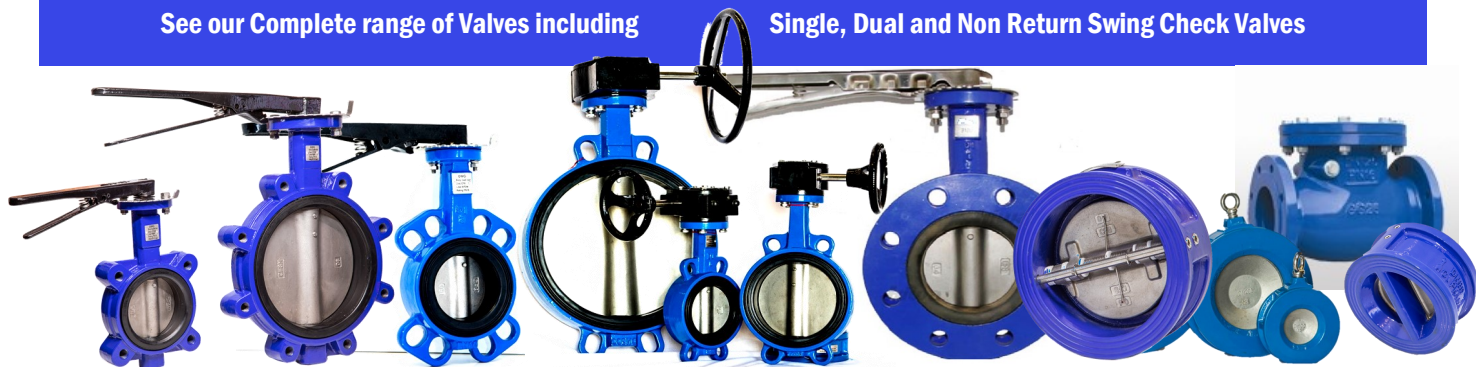
The CVWD Series are a dual disc with spring assisted closing. Our spring assisted valves have excellent seal capabilities in any position, reducing water hammer to a minimum while offering a thinner profile for where the space is tight.

The CVWD Series Wafer Check Valves are suitable to almost any application such as raw water, wastewater treatment, sea water, irrigation, abrasive slurries, corrosive chemicals, desalinations, fire protection, mining and industrial applications.

Other configurations can be manufactured upon request.

See our Complete range of Valves including

Single, Dual and Non Return Swing Check Valves



**GWG GLOBAL WATER GROUP**

**Townsville: P: 07 4779 0173**

48 Keane St. Currajong, QLD 4812.



**Brisbane: P: 07 3517 5595**

25 Staple St. Seventeen Mile Rocks, 4073

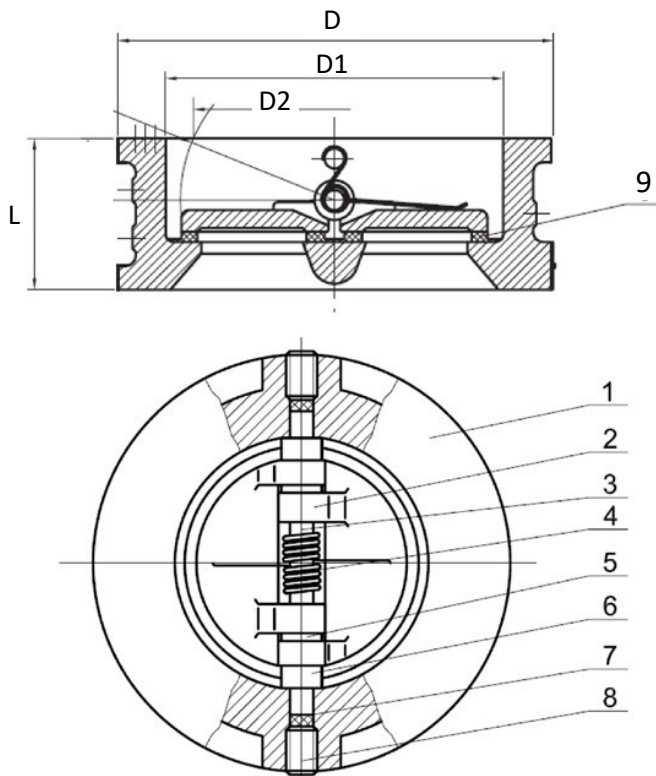
**W: [www.gwgvalvesandpoly.com.au](http://www.gwgvalvesandpoly.com.au)**

### CVWD Series - Dimensional Specifications

CODE	DN (mm)	L	D	D1	D2	W.P (PN)	WEIGHT (Kg) APPROX.
CVWDN050	50	43	98	65	46	16	1.3
CVWDN065	65	46	110	80	60	16	2.1
CVWDN080	80	64	128	94	70	16	2.9
CVWDN100	100	64	156	117	88	16	4.3
CVWDN125	125	70	187	145	115	16	6.4
CVWDN150	150	76	213	171	134	16	9.1
CVWDN200	200	89	267	224	182	16	15.2
CVWDN250	250	114	328	265	220	16	26.5
CVWDN300	300	114	375	310	260	16	37
CVWDN350	350	127	444	360	298	16	55
CVWDN400	400	140	495	410	350	16	80
CVWDN450	450	152	558	450	385	16	101
CVWDN500	500	152	615	505	438	16	114
CVWDN600	600	178	727	624	538	16	172

### CVWD Series - Technical Specifications

Flange Compatibility:	ANSI150, AS4087 PN16, AS2129 Table D and Table E
Face to Face:	API 609
Test and Inspection:	API 598
Working Pressure:	1600 kPa
Temperature Max:	90°C
Applications:	Water



### CVWD Series - Material Specifications

Number	Item	Material
1	Body	FBE Coated Cast Iron
2	Disc	SS316
3	Stem	SS316
4	Spring	SS304
5	Washer	PTFE
6	Washer	PTFE
7	O-Ring	EDPM
8	Hex Nut	SS304
9	Seat	NBR



Design, materials and specifications shown are subjected to change without notice due to our commitment for product development.